



Linear Air Pumps

BLOWTAC DESIGN © COPY RIGHT 2018 V1



SUN MINES ELECTRICS CO.,LTD.
三敏電機股份有限公司

2018



Company Information:

Sun Mines Electrics Co., Ltd. has been established for more than 25 years since 1993. All the products are mainly for environment protection. Green is our main identification color and BLOWTAC and PUMPTAC are brands of the company.

1993, we start business by distributing air pump and sewage pump of Japan in the fields of fish farm and septic tank aeration in Taiwan local market. With the good reputation of reliable quality, fast delivery, and very good after-sales service, we've accumulated a big enough customer base.

1995, we began to expand foreign market and started to build products assembly line for market all over the world. At the time, we developed one by one and start to assemble the products as linear air pumps, blowers, aerators, and sewage pumps as well, focusing the two fields of wastewater treatment and aquaculture. Now we've also established very big overseas market, by keeping on participating international exhibitions.

2000, We expand the the production line of mini air compressor and silent HVLP spraying system for medical and beauty fields and provide ODM and OEM producing service for client requirement.

2017 for the the trend demand of green energy, energy saving and carbon reduction we added CIGS thin-film solar panels and solar inverters in our product line supplying green power to drive all our air and water pump, blowers and aerator as well, We provide professional and customized services for full range of green energy solutions to be a good citizen of Earth.

For more than 25 years, Sun Mines company has persisted in the business philosophy of "Quality, "Service"" and Innovation". We always improve our product technology and process to reduce costs, accelerate delivery, minimize customer's inventory, provide customers a one-stop service, help to increase profit of clients. In addition to aerators and blower application of water supply, wastewater treatment and aquaculture application by green energy, we have also help customers in the medical and beauty equipments and are very happy to offer developing service of water and air application.

We always listen and satisfy the need of client in the air pump and water pump fields. Please feel free to contact us to get the products meet your market.



The magnetic diaphragm linear air pump works without any sliding parts but only oil-free components, so the air pump requires no lubrication and it delivers the air without any pollution. It can be applied for wastewater aeration, septic tank, fish, shrimp farm or aquaculture aeration, dental suction or ENT suction of medical application, scientific lab. equipment.

Features:

- .Low noise
- .High durability
- .No oil lubrication
- .High efficiency
- .Compact and powerful
- .Smooth air flow
- .Simple maintenance

Certification:



BLOWTAC® standard linear air pumps conform to the European Community's Machinery Directive (CE) and Underwriters Laboratories (UL) certified in compliance to USA and Canada safety standards for household, commercial, and industrial air compressors and vacuum pumps.

Applications:

- . Ozon equipment air supply.
- . Pneumatic rubber boat.
- . Air cleaner.
- . Air bed.
- . Bubble bath.
- . Dental suction.
- . Food and drug processing.
- . Scientific and chemical instruments.
- . Low frequency therapeutic equipment.
- . Oxygen supply for fish tanks and ponds.
- . Waste water treatment aeration and agitation.



Fermenter



Waste water treatment



Air pool



Air bed



Dental suction



Scientific instruments



Oxygen supply for fish tanks and ponds



We offer OEM manufacturing with high reliability and stability of performance, efficient and effective satisfaction. Let BLOWTAC magnetic diaphragm linear air pump be a part of your product solution.



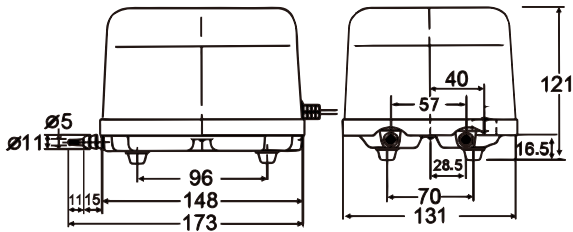
Blow

- Model**
AP-6LP
AP-15LP
AP-20LP
AP-30MP
AP-40MP



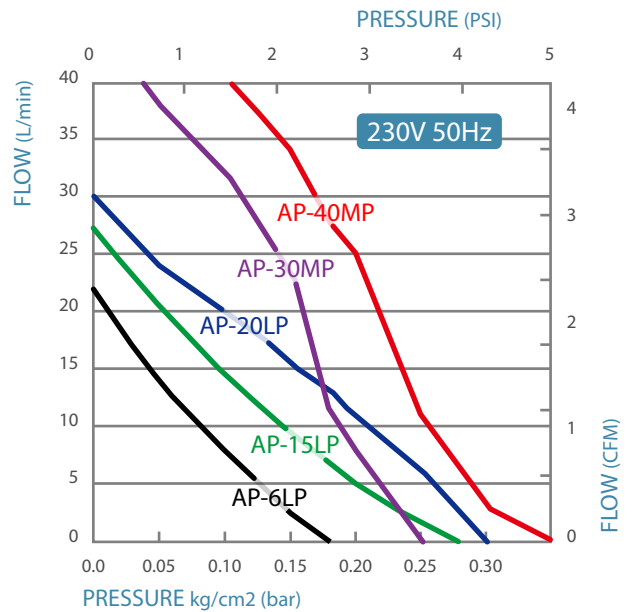
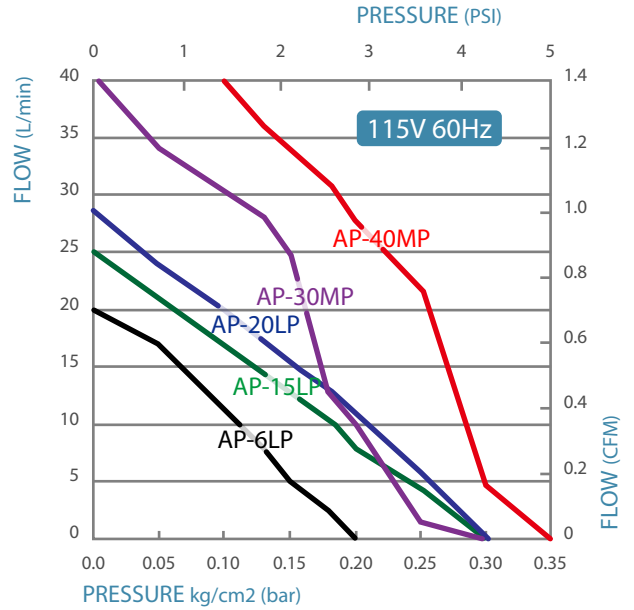
Vacuum/Blow

- Model**
AP-6LSP
AP-15LSP
AP-20LSP
AP-30MSAP
AP-40MSAP



Unit : mm

Performance Curves



Specification

Model	AP-6LP/AP-6LSP		AP-15LP/AP-15LSP		AP-20LP/AP-20LSP		AP-30MP/AP-30MSAP		AP-40MP/AP-40MSAP	
Voltage	115V 60Hz	230V 50Hz	115V 60Hz	230V 50Hz	115V 60Hz	230V 50Hz	115V 60Hz	230V 50Hz	115V 60Hz	230V 50Hz
Rated Pressure	0.1 kgf/cm ² (bar)(1.4 psi)		0.1 kgf/cm ² (bar)(1.4 psi)		0.1 kgf/cm ² (bar)(1.4 psi)		0.1 kgf/cm ² (bar)(1.4 psi)		0.1 kgf/cm ² (bar)(1.4 psi)	
Rated Performance	10 LPM	8 LPM	17.5 LPM	15 LPM	20 LPM	17 LPM	30 LPM	32 LPM	40 LPM	41 LPM
Rated Current	0.1 A	0.1 A	0.2 A	0.2 A	0.3 A	0.2 A	0.3 A	0.15 A	0.46 A	0.23 A
Rated Power	7 W	7 W	14 W	14 W	15 W	15 W	18 W	18 W	30 W	30 W
Sound Level	27 dB		29dB		29 dB		36 dB		39 dB	
Weight	2.4 kg (5.3 lb)		2.4 Kg (5.4 lb)		2.5 kg (5.5. lb)		3.3 kg (7.3 lb)		3.4 kg (7.5 lb)	
Dimension	L 15.0 X W 13.0 X H 11.0 cm									

Information presented is based on test results from rated voltage. Specifications can be changed or improved without notice.

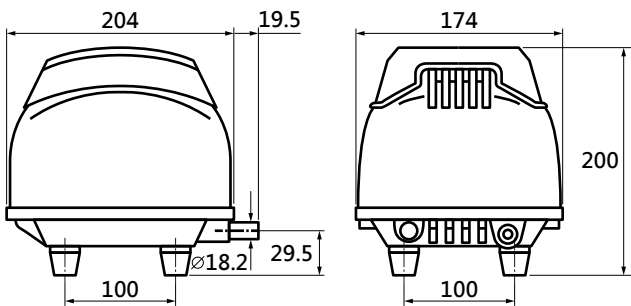
The BLOWTAC magnetic diaphragm linear air pump is designed to deliver high volume of steady airflow at 0.1 to 0.5 bar pressure ranges, our BLOWTAC linear air pumps are of high efficiency, low energy consumption and perform with very low operation noise under 40 dB(A).

Model

AP-40L

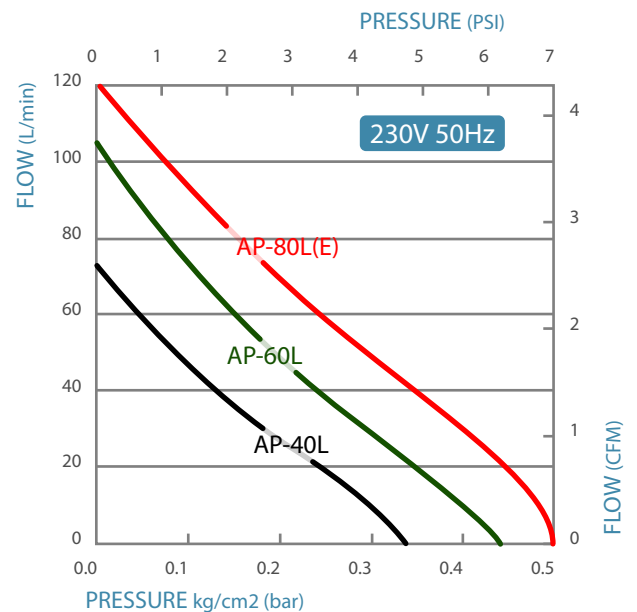
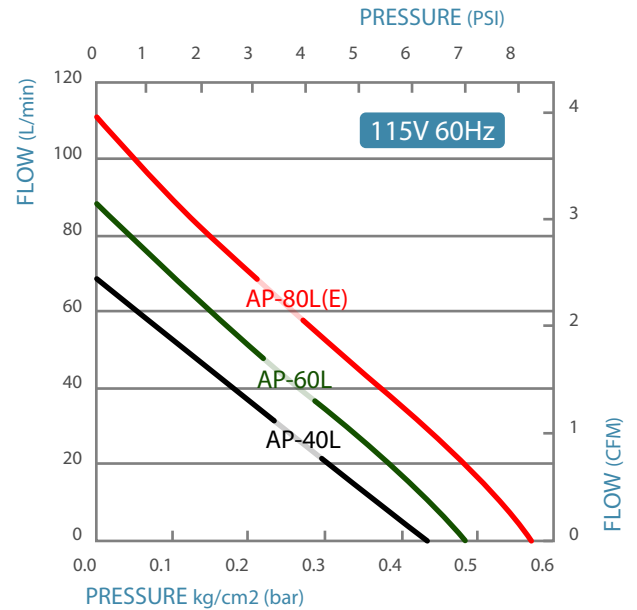
AP-60L

AP-80L(E)



Unit : mm

Performance Curves



Specification

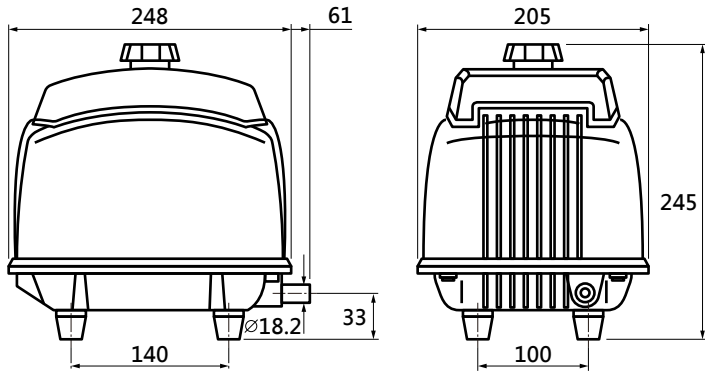
Model	AP-40L		AP-60L		AP-80L(E)	
Voltage	115V 60Hz	230V 50Hz	115V 60Hz	230V 50Hz	115V 60Hz	230V 50Hz
Rated Pressure	0.13 kgf/cm ² (bar)(1.88 psi)		0.15 kgf/cm ² (bar)(2.18 psi)		0.15 kgf/cm ² (bar)(2.18 psi)	
Rated Performance	51 LPM	48 LPM	65 LPM	68 LPM	85 LPM	81 LPM
Rated Current	0.8 A	0.5 A	1.0 A	0.6 A	1.7 A	0.8 A
Rated Power	45 W	48 W	68 W	72 W	86 W	86 W
Sound Level	36 dB		38 dB		39 dB	
Weight	6.0 kg (13.2 lb)		6.7 Kg (14.7 lb)		6.8 kg (15.2 lb)	
Dimension	L 20.4 X W 17.4 X H 20.0 cm					

Information presented is based on test results from rated voltage. Specifications can be changed or improved without notice.

Compact high capacity linear air pump with low current draws, low vibration and quiet performance.

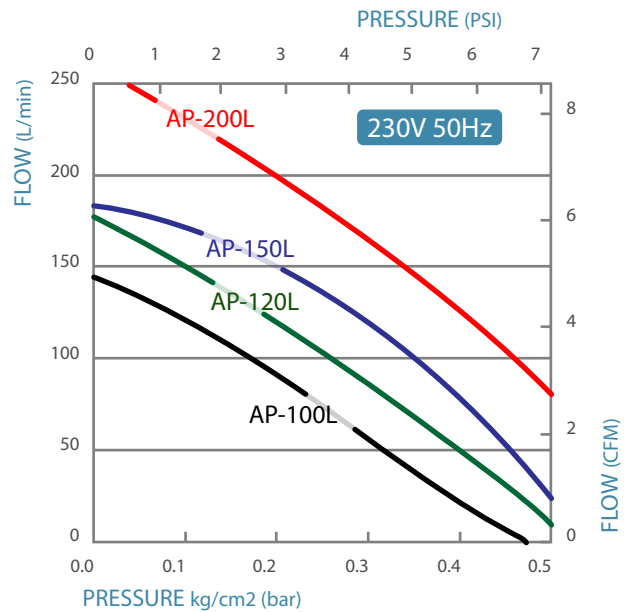
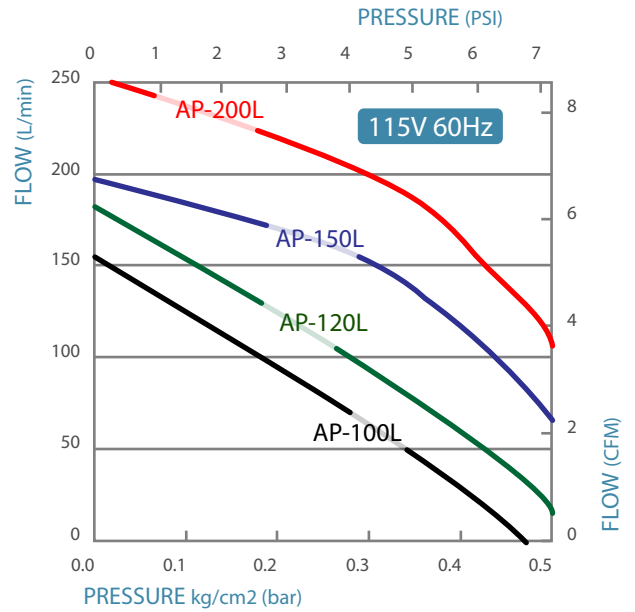
Model

- AP-100L
- AP-120L
- AP-150L
- AP-200L



Unit : mm

Performance Curves



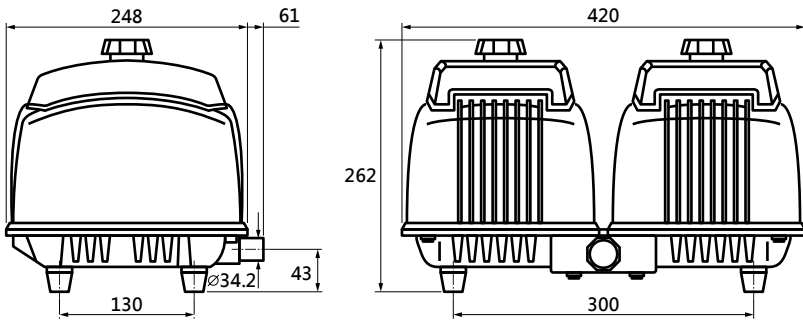
Specification

Model	AP-100L		AP-120L		AP-150L		AP-200L	
Voltage	115V 60Hz	230V 50Hz	115V 60Hz	230V 50Hz	115V 60Hz	230V 50Hz	115V 60Hz	230V 50Hz
Rated Pressure	0.18 kgf/cm ² (bar)(2.6 psi)		0.2 kgf/cm ² (bar)(2.9 psi)					
Rated Performance	110 LPM	110 LPM	130 LPM	130 LPM	160 LPM	160 LPM	205 LPM	205 LPM
Rated Current	2.1 A	1.0 A	2.2 A	1.1 A	2.3 A	1.2 A	3.2 A	1.3 A
Rated Power	120 W	120 W	124 W	124 W	160 W	160 W	261 W	261 W
Sound Level	41 dB		42 dB		44 dB		45 dB	
Weight	8.3 kg (18.2 lb)		8.3 kg (18.2 lb)		10.1 kg (22.3 lb)		10.1 kg (22.3 lb)	
Dimension	L 24.8 X W 20.5 X H 24.5 cm							

Information presented is based on test results from rated voltage. Specifications can be changed or improved without notice.

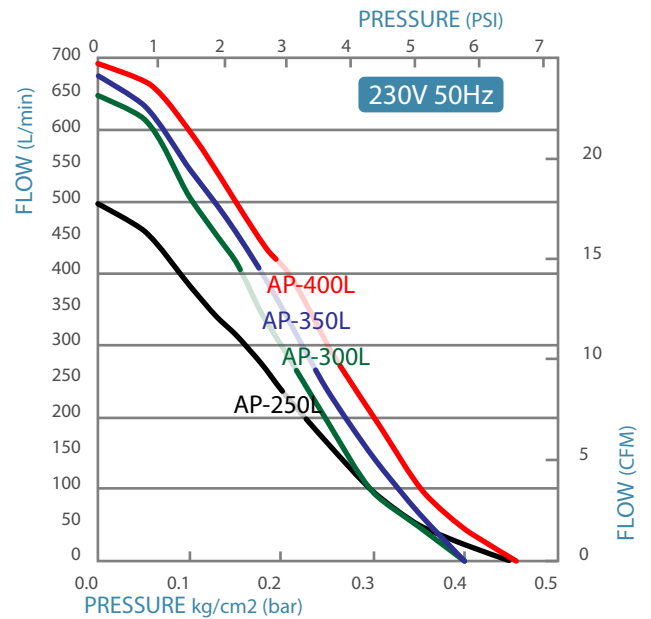
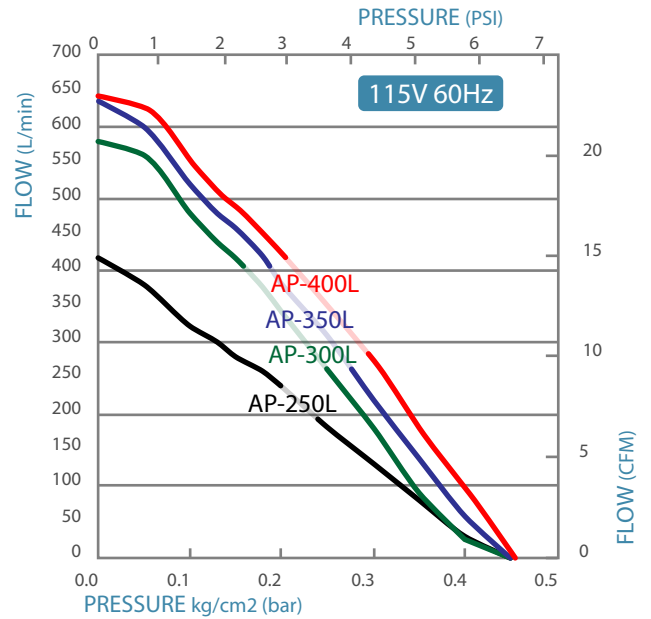
Model

AP-250L AP-350L
 AP-300L AP-400L



Unit : mm

Performance Curves



Specification

Model	AP-250L		AP-300L		AP-350L		AP-400L	
Voltage	115V 60Hz	230V 50Hz	115V 60Hz	230V 50Hz	115V 60Hz	230V 50Hz	115V 60Hz	230V 50Hz
Rated Pressure	0.2 kgf/cm ² (bar)(2.9 psi)							
Rated Performance	275 LPM	270 LPM	350 LPM	340 LPM	400 LPM	380 LPM	435 LPM	420 LPM
Rated Current	5.6 A	2.8 A	5.6 A	2.7 A	6.7 A	3.3 A	7.7 A	3.6 A
Rated Power	361 W	329 W	343W	303 W	428W	370W	499W	402 W
Sound Level	46 dB		47dB		48dB		49dB	
Weight	18.82 kg(41.49 lb)		22.14 Kg(48.81 lb)		22.16 kg(48.85 lb)		22.18 kg(48.89 lb)	
Dimension	L 24.8 X W 42 X H 26.2 cm							

Information presented is based on test results from rated voltage.
 Specifications can be changed or improved without notice.

LINEAR AIR PUMP

電磁式空氣泵



See Green , See Sun Mines

SUN MINES
ELECTRICS CO.,LTD.
三敏電機股份有限公司



22203新北市深坑區北深路三段153號7樓



TEL:+886-2-2662-9292

FAX:+886-2-2662-7575

info@sunmines.com.tw

info@blowtac.com.tw

Website: www.blowtac.com.tw



7F, No.153, Sec. 3, Beishen Rd,
Shenkeng Dist, New Taipei City 222, Taiwan

